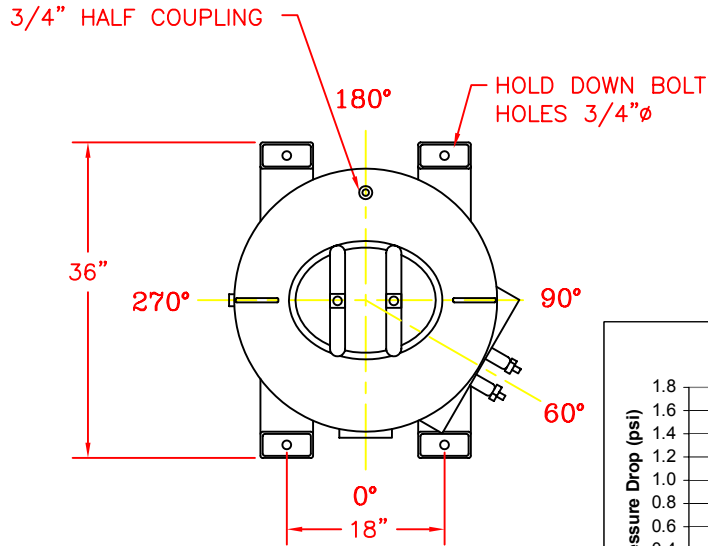
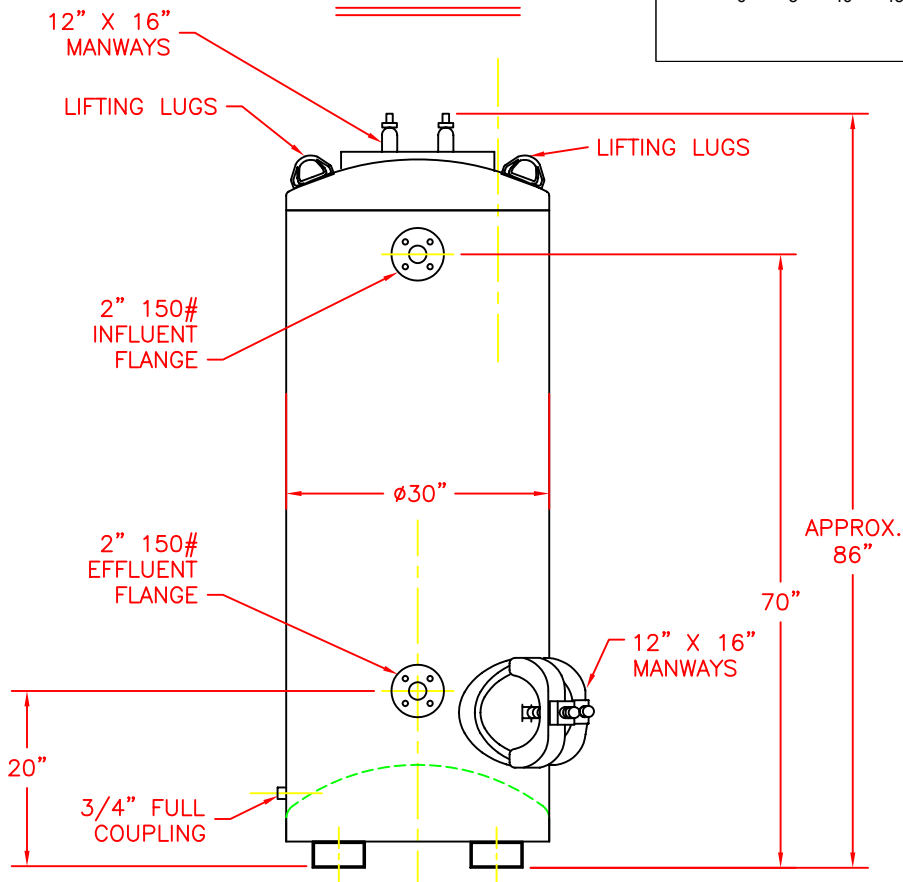
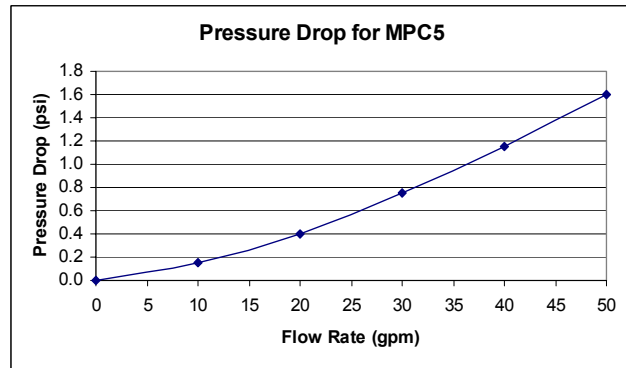


Carbon Adsorber – Liquid Phase
MPC-5



TOP VIEW



ELEVATION / FRONT VIEW

NOTE:

1. PRESSURE VESSEL RATING OF 90 PSIG MAWP CODE STAMP NOT AVAILABLE.

Sales Drawing #211640
3/5/05
© CARBONAIR 2005