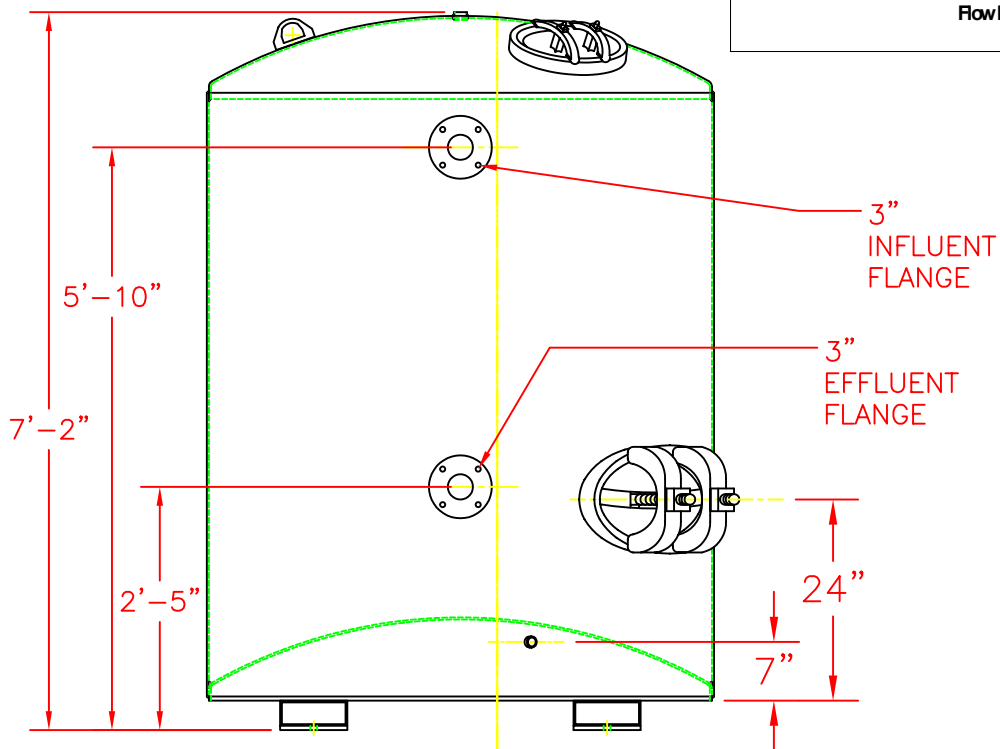
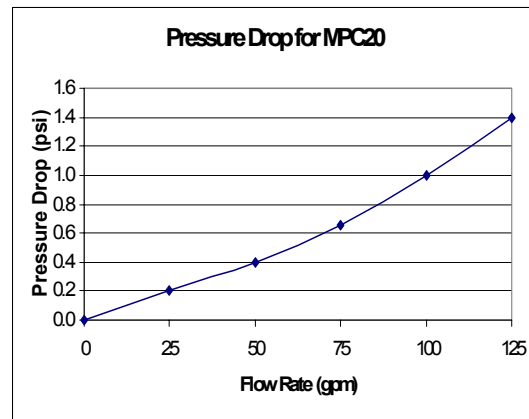
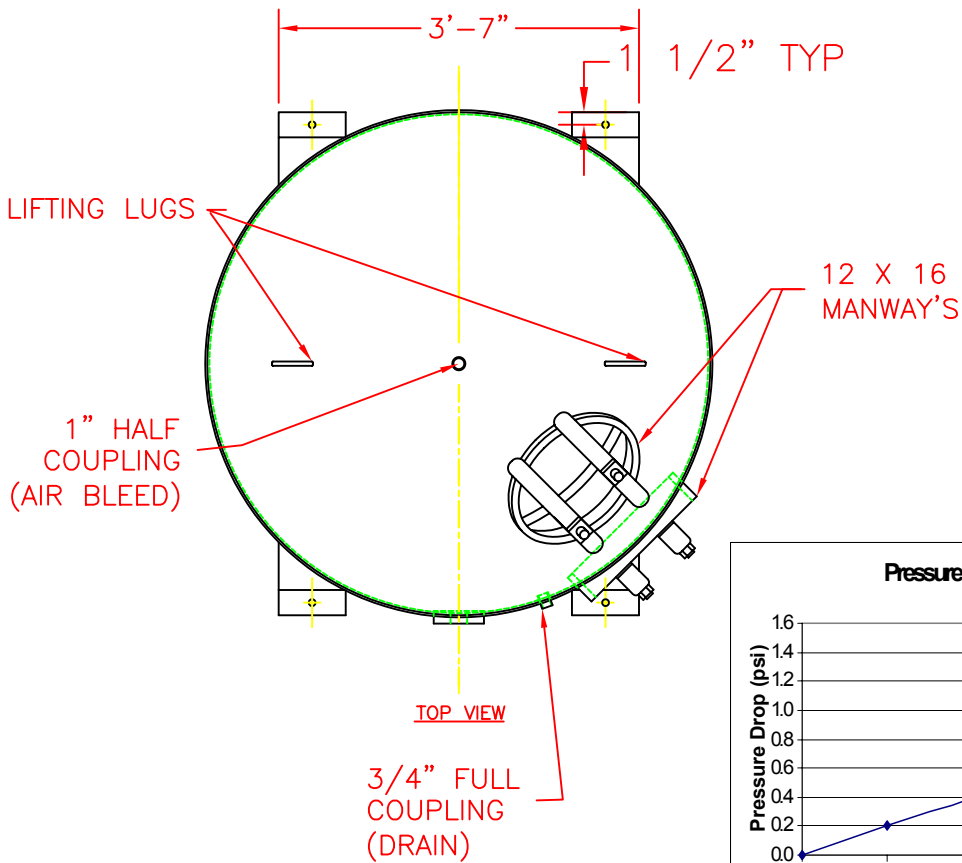


Carbon Adsorber – Liquid Phase  
MPC 20



NOTE:

ELEVATION VIEW

1. PRESSURE VESSEL RATING  
OF 75 PSIG MAWP  
CODE STAMP NOT AVAILABLE.

Sales Drawing #214315  
3/5/05  
© CARBONAIR 2005