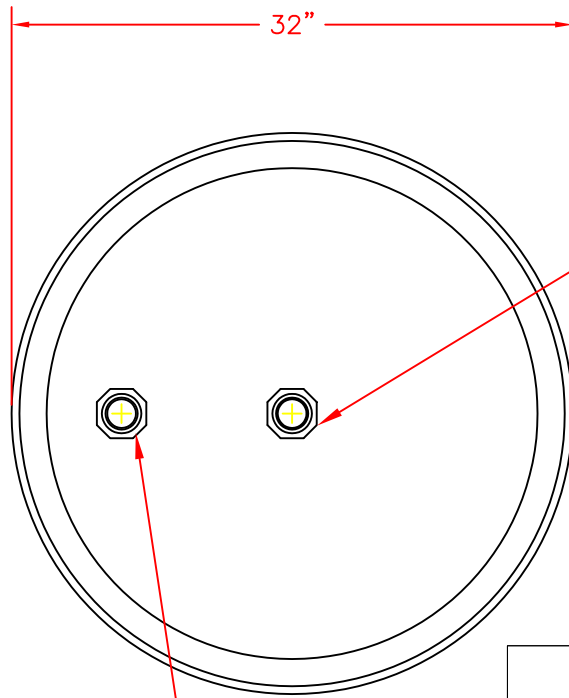
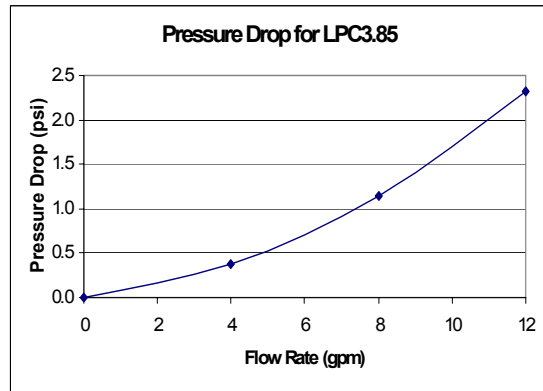


Carbon Adsorber-Vapor Phase
LPC 3.85

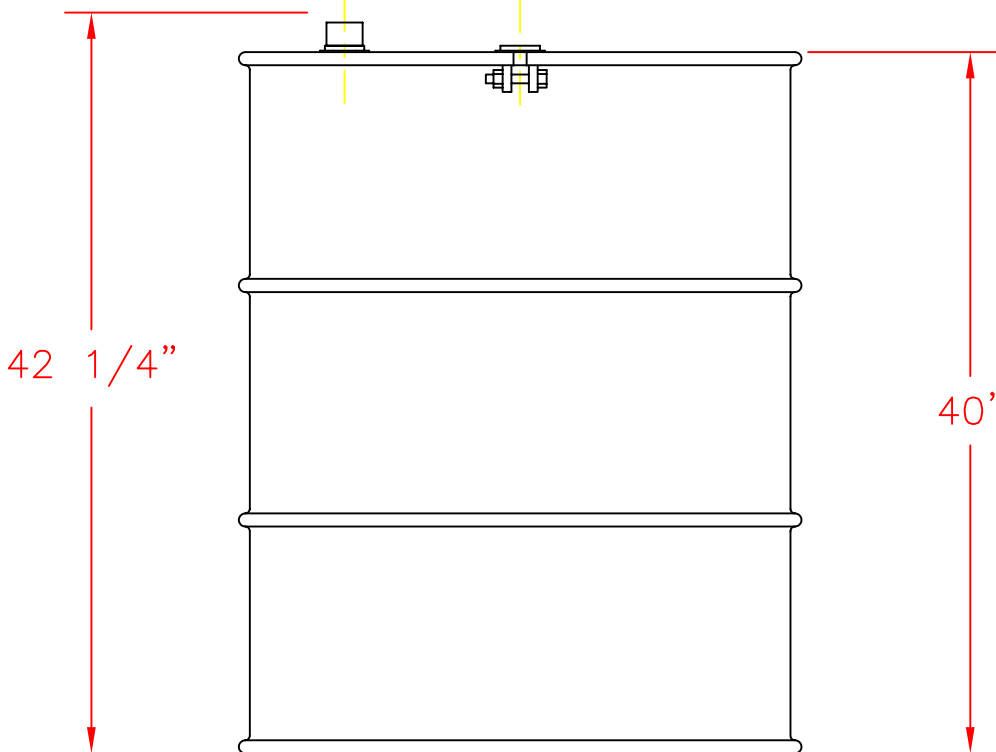


1 1/2" FPT
(WATER OUTLET)

1 1/2" FPT
(WATER INLET)



10"



42 1/4"

40"