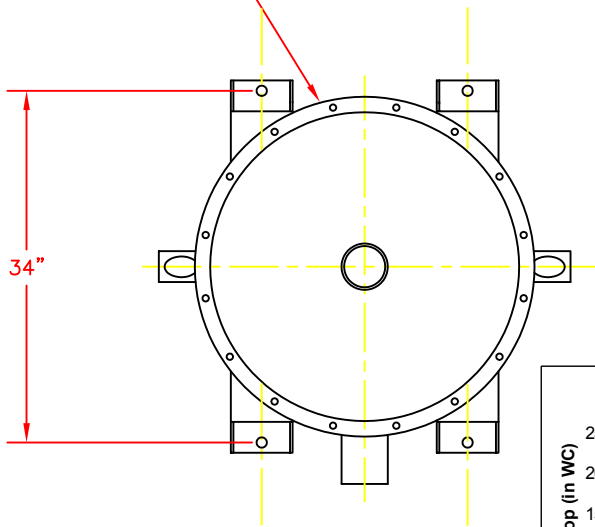
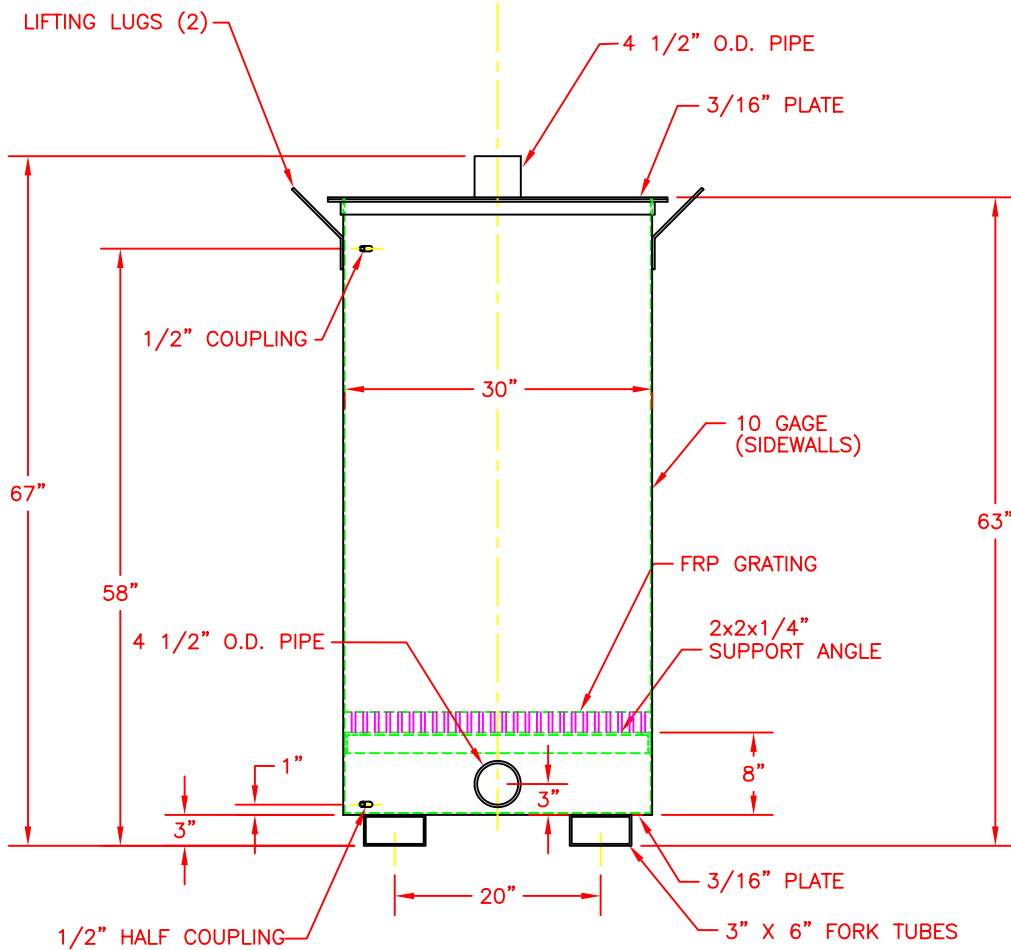
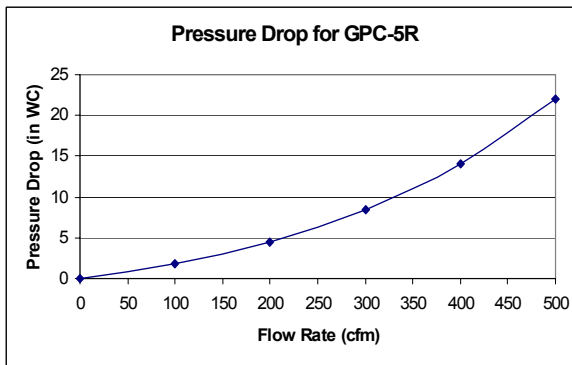


Carbon Adsorber – Vapor Phase  
GPC-5R

30"Ø FLANGE PATTERN  
35 1/2" B.C.,  
16 HOLES, 5/16" DIA.,  
SPLIT CENTER SPACING



PLAN VIEW



ELEVATION

Sales Drawing #155618

03/22/05

© CARBONAIR 2005